

# PAJ7620U2

Integrated Gesture Recognition Sensor with I<sup>2</sup>C Interface

# Datasheet

---

---

# PAJ7620U2 Integrated Gesture Recognition Sensor with I<sup>2</sup>C Interface

DOCUMENT CONTROLLED V0.7 2014/05/22

---

---

## General Description

PAJ7620U2 integrates gesture recognition function with general I<sup>2</sup>C interface into a single chip. It can recognize 9 gestures including move up, move down, move left, move right, move forward, move backward, circle-clockwise, circle-counter clockwise, and wave. These gestures information can be simply accessed via the I<sup>2</sup>C bus. The PAJ7620U2 also offers built-in proximity detection for the purpose of sensing object approaching or departing. The PAJ7620U2 is designed with great flexibility in power-saving mechanism.

The PAJ7620U2 is designed to operate from 2.8V to 3.3V over -40°C to +85°C and the pull-up voltage for the I<sup>2</sup>C bus and interrupt line is from 1.8V to 3.3V.

## Feature

- Typical supply voltage is 2.8V to 3.3V and I/O voltage is 1.8V~3.3V
- Nine gesture recognition (Up / Down / Left / Right / Push / Pull / CW / CCW / Wave)
- Gesture speed is 60°/s to 600°/s in Normal Mode and 60°/s to 1200°/s in Gaming Mode
- Ambient light immunity: < 100k Lux
- Built-in proximity detection
- Flexible power saving scheme
- I<sup>2</sup>C interface up to 400 kbit/s, Pull-up voltage from 1.8V to 3.3V
- Ambient light noise cancellation

## Application

- PAD Phone
- Tablet Personal Computer
- Automobile Application

---

---

# PAJ7620U2 Integrated Gesture Recognition Sensor with I<sup>2</sup>C Interface

DOCUMENT CONTROLLED V0.7 2014/05/22

---

---

## Pin Configuration

Pin NO.	Symbol	Type	Function
1	V <sub>BUS</sub>	POWER	BUS power supply
2	I2C_SDA	IN/OUT (Open Drain)	I <sup>2</sup> C data pin
3	INT	OUT(Open Drain)	Interrupt pin (Active low)
4	TESTMD	IN	For Module Test Only
5	I2C_SCL	IN (Open Drain)	I <sup>2</sup> C clock pin
6	GND	GND	Ground
7	GPIO3	IN/OUT	For Module Test Only
8	GPIO2	IN/OUT	For Module Test Only
9	GPIO1	IN/OUT	For Module Test Only
10	GND	GND	Ground
11	V <sub>LED</sub>	POWER	LED power input
12	V <sub>DD</sub>	POWER	Main power supply
13	GPIO0	IN/OUT	For Module Test Only

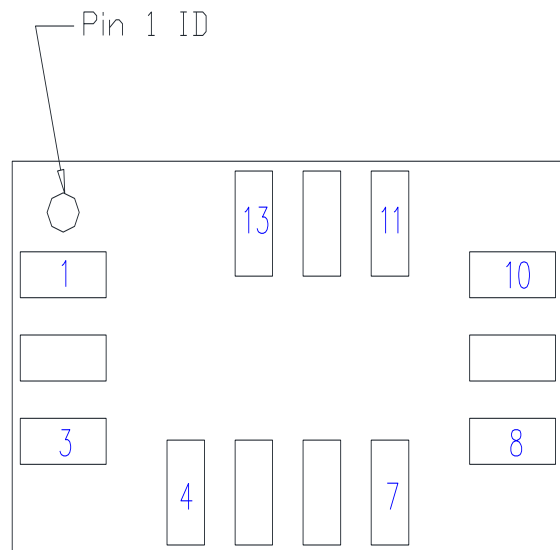


Figure 1. PAJ7620U2 Module Pin Configuration (BTM VIEW)

# PAJ7620U2 Integrated Gesture Recognition Sensor with I<sup>2</sup>C Interface

DOCUMENT CONTROLLED V0.7 2014/05/22

## Ordering information

Part Number	Packing	Pin NO.	Package Type & Size	Options
PAJ7620U2	-	13	-	I <sup>2</sup> C Slave ID(using 7 bit addressing protocol): 0x73

## Absolute Maximum Ratings, T<sub>A</sub> = 27°C

Description	Symbol	Min.	Max.	Unit
Supply Voltage	V <sub>DD</sub>	-	4	V
LED Supply Voltage	V <sub>LED</sub>	-	4.6	V
LED Pulse Current <sup>Note1.</sup>	I <sub>LED</sub>	-	2	A
I <sup>2</sup> C Pin, INT_N Pin Voltage (SCL, SDA, INT_N)	V <sub>BUS</sub>	-0.3	V <sub>DD</sub> +0.3	V
I <sup>2</sup> C Pin, INT_N Pin Current (SCL, SDA, INT_N)	I <sub>BUS</sub>	-	10	mA
ESD, human body model	ESD <sub>HBM</sub>	-	2	kV
ESD, Machine model	ESD <sub>MM</sub>	-	200	V

Note1.Pulse Width < 500us, Duty Cycle < 5%

\* Maximum Ratings are those values beyond which damage to the device may occur. Exposure to these conditions or conditions beyond those indicated may adversely affect device reliability. Functional operation under absolute maximum-rated conditions is not implied. Functional operation should be restricted to the Recommended Operating Conditions.

## Recommended Operating Condition

Description	Symbol	Min.	Typ.	Max.	Unit
Supply Voltage	V <sub>DD</sub>	2.8	-	3.6	V
LED Supply Voltage	V <sub>LED</sub>	3	-	4.2	V
Peak LED Current Pulse <sup>Note1</sup>	I <sub>LED</sub>	-	720	860	mA
I <sup>2</sup> C Pin, INT_N Pin Voltage (SCL, SDA, INT_N)	V <sub>BUS</sub>	1.8	-	3.3	V
I <sup>2</sup> C Pin, INT_N Pin Current (SCL, SDA, INT_N)	I <sub>BUS</sub>	-	-	5	mA
Operating Temperature	T <sub>op</sub>	-20	-	70	°C

Note1.Pulse Width < 500us, Duty Cycle < 5%

# PAJ7620U2 Integrated Gesture Recognition Sensor with I<sup>2</sup>C Interface

DOCUMENT CONTROLLED V0.7 2014/05/22

## General Specification, V<sub>DD</sub>=2.8V, T<sub>A</sub> = 27°C

<i>Electrical Specifications</i>						
Description	Symbol	Min.	Typ.	Max.	Unit	Condition
Supply Voltage	V <sub>DD</sub>	2.8	-	3.6	V	
LED Supply Voltage	V <sub>LED</sub>	3.0	-	4.2	V	LED Supply Voltage
I <sup>2</sup> C Pin, INT_N Pin Pull-up Voltage	V <sub>BUS</sub>	1.8	-	3.3	V	
Current Consumption for Operation Modes	IDD	-	2.82	-	mA	1.Under Normal Mode 2.Including LED current (Peak = 760mA)
Suspend Current	IDD_SUS	-	15	-	uA	
Current Consumption for Standby State 1	IDD_ST1	-	2.3	-	mA	(Ref. to "Operating Principle") 1.Under Normal Mode
Current Consumption for Standby State 2	IDD_ST2	-	1.5	-	mA	2. S1, Response Factor =0.5 3. S2, Response Factor =0.25 4.Including LED current (Peak = 760mA)
Current Consumption for Proximity Detection			0.2		mA	1.Detecting Rate = 10Hz 2.LED peak current = 600mA 3.LED on time = 6.8μs
I <sup>2</sup> C Bus Input High Voltage	VIH	0.7* V <sub>BUS</sub>	-	V <sub>BUS</sub> +0.3	V	I <sup>2</sup> C Bus Input High Voltage
I <sup>2</sup> C Bus Input Low Voltage	VIL	-0.3	-	0.3* V <sub>BUS</sub>	V	I <sup>2</sup> C Bus Input Low Voltage
INT_N, SDA Output Low Voltage	VOL_SDA VOL_INT_N	-	-	0.1* V <sub>BUS</sub>	V	INT_N, SDA Output Low Voltage
<i>Gesture Function Specifications</i>						
Description	Symbol	Min.	Typ.	Max.	Unit	Condition
Gesture Detecting Range	d <sub>OP</sub>	5	-	15	cm	Calculated from PAJ7620U2 sensor center
Gesture Detecting Angle	θ <sub>OP</sub>	-	60	-	degree	Calculated diagonally
Gesture Speed Response	ω	60		600	degree/s	Angular velocity under Normal Mode
		60		1200		Angular velocity under Gaming Mode
Gesture Update Rate	f <sub>Update</sub>	-	120	240	Hz	120 Hz for Normal Mode 240 Hz for Gaming Mode
Sun Light Immunity	S <sub>LUX</sub>	-	-	100k	Lux	Under Florescent light
LED View Angle	2θ <sub>1/2</sub>		60		degree	
LED Peak Wavelength	λ		940		nm	

---

---

# PAJ7620U2 Integrated Gesture Recognition Sensor with I<sup>2</sup>C Interface

DOCUMENT CONTROLLED V0.7 2014/05/22

---

---

## Function Diagram

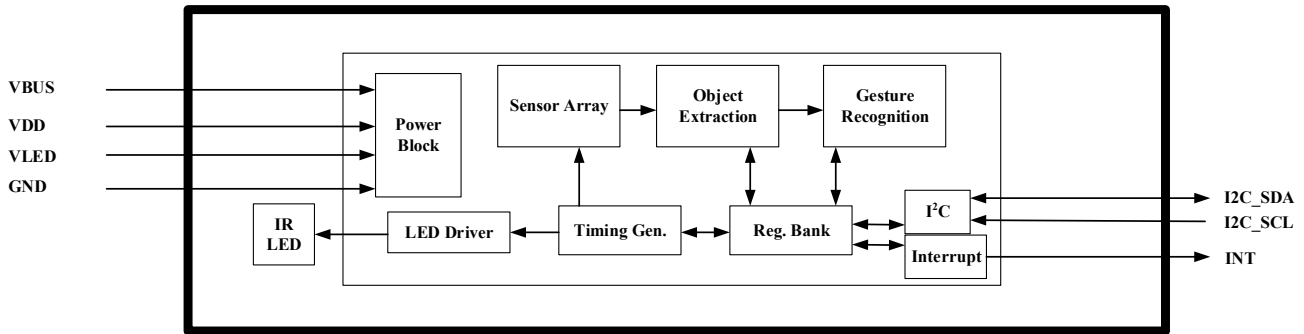


Figure 2. PAJ7620U2 Module Functional Block Diagram

# PAJ7620U2 Integrated Gesture Recognition Sensor with I<sup>2</sup>C Interface

DOCUMENT CONTROLLED V0.7 2014/05/22

## Register Map and Function

### Register Map:

Slave ID: 0x73 hex using 7 bit addressing protocol. Contact PixArt for other slave ID requirement.

#### Register Bank 0 (Switch to Register Bank 0 by setting Addr 0xEF to 00)

Address	Register Function	Access	Default
0x03	I <sup>2</sup> C suspend command (Write 0x01 to enter suspend state). I <sup>2</sup> C wake-up command is slave ID wake-up. Refer to topic "I <sup>2</sup> C Bus Timing Characteristics and Protocol"	W	0x01
0x41	Gesture detection interrupt flag mask	R/W	0xFF
0x42	Gesture/PS detection interrupt flag mask	R/W	0xFF
0x43	Gesture detection interrupt flag	R	-
0x44	Gesture/PS detection interrupt flag	R	-
0x45	State indicator for gesture detection (Only functional at gesture detection mode)	R	-
0x69	PS hysteresis high threshold (Only functional at proximity detection mode)	R/W	0xC8
0x6A	PS hysteresis low threshold (Only functional at proximity detection mode)	R/W	0x40
0x6B	PS approach state, Approach = 1, (8 bits PS data >= PS high threshold) Not Approach = 0, (8 bits PS data <= PS low threshold) (Only functional at proximity detection mode)	R	-
0x6C	PS 8 bit data (Only functional at proximity detection mode)	R	-
0xB0	Object Brightness (Max. 255)	R	
0xB1	Object Size (Max. 900)	R	
0xB2			

#### Register Bank 1 (Switch to Register Bank 1 by setting Addr 0xEF to 01)

Address	Register Function	Access	Default
0x44	PS gain setting (Only functional at proximity detection mode)	R/W	0xA0
0x67	IDLE S1 Step, for setting the S <sub>1</sub> , Response Factor	R/W	0x68
0x68			0x01
0x69	IDLE S2 Step, for setting the S <sub>2</sub> , Response Factor	R/W	0xD0
0x6A			0x02
0x6B	OPtoS1 Step, for setting the OPtoS1 time of operation state to standby 1 state	R/W	0xB0
0x6C			0x04
0x6D	S1toS2 Step, for setting the S1toS2 time of standby 1 state to standby 2 state	R/W	0x60
0x6E			0x09
0x72	Enable/Disable PAJ7620U2	R/W	0x00

---

---

# PAJ7620U2 Integrated Gesture Recognition Sensor with I<sup>2</sup>C Interface

DOCUMENT CONTROLLED V0.7 2014/05/22

---

---

## Register Function Description:

### 1. General Purpose:

#### Register Bank0, ADDR 0x03

Register Bank 0, ADDR 0x03, I <sup>2</sup> C Suspend Command		
NAME	Reserved	Suspend
BIT #	[7:1]	[0]
ACCESS	Write as 0	W
DEFAULT	0	1
	0x01	

NAME	FUNCTION/OPERATION
Suspend	Write 1: Enter suspend state (wake up by writing I2C slave ID (default: 0x73), Refer to topic “I <sup>2</sup> C Bus Timing Characteristics and Protocol”)

#### Register Bank1, ADDR 0x72

Register Bank 1, ADDR 0x72, Enable/Disable PAJ7620U2		
NAME	Reserved	Enable
BIT #	[7:1]	[0]
ACCESS	Write as 0	R/W
DEFAULT	0	0
	0x00	

NAME	FUNCTION/OPERATION
Enable	1: Enable PAJ7620U2 0: Disable PAJ7620U2

To enter the suspend state, first disable the PAJ7620U2 by writing Register Bank 1, ADDR 0x72 with 0x00 then process the I<sup>2</sup>C suspend command by writing Register Bank 0, ADDR 0x03 with 0x01.

To exit the suspend state, first process the I<sup>2</sup>C wake-up command by writing the slave ID (Refer to topic “I<sup>2</sup>C Bus Timing Characteristics and Protocol”) then enable the PAJ7620U2 by writing Register Bank 1, ADDR 0x72 with 0x01.



## PAJ7620U2 Integrated Gesture Recognition Sensor with I<sup>2</sup>C Interface

DOCUMENT CONTROLLED V0.7 2014/05/22

### 2. Gesture Detection Related:

#### Register Bank0, ADDR 0x41

Register Bank 0, ADDR 0x41, Gesture Detection Interrupt Flag Mask								
NAME	Counter-Clockwise Mask	Clockwise Mask	Backward Mask	Forward Mask	Right Mask	Left Mask	Down Mask	Up Mask
BIT #	[7]	[6]	[5]	[4]	[3]	[2]	[1]	[0]
ACCESS	R/W	R/W	R/W	R/W	R/W	R/W	R/W	R/W
DEFAULT	1	1	1	1	1	1	1	1
0xFF								

NAME	FUNCTION/OPERATION
Counter Clockwise Mask	1: Counter clockwise gesture will generate an interrupt 0: Counter clockwise gesture will not generate an interrupt
Clockwise Mask	1: Clockwise gesture will generate an interrupt 0: Clockwise gesture will not generate an interrupt
Backward Mask	1: Backward gesture will generate an interrupt 0: Backward gesture will not generate an interrupt
Forward Mask	1: Forward gesture will generate an interrupt 0: Forward gesture will not generate an interrupt
Left Mask	1: Left gesture will generate an interrupt 0: Left gesture will not generate an interrupt
Right Mask	1: Right gesture will generate an interrupt 0: Right gesture will not generate an interrupt
Down Mask	1: Down gesture will generate an interrupt 0: Down gesture will not generate an interrupt
Up Mask	1: Up gesture will generate an interrupt 0: Up gesture will not generate an interrupt

#### Register Bank0, ADDR 0x42

Register Bank 0, ADDR 0x42, Gesture Detection Interrupt Flag Mask		
NAME	Reserved	Wave Mask
BIT #	[7:1]	[0]
ACCESS	Write as 0000000	R/W
DEFAULT	1111111	1
0xFF		

NAME	FUNCTION/OPERATION
Wave Mask	1: Wave gesture will generate an interrupt 0: Wave gesture will not generate an interrupt

# PAJ7620U2 Integrated Gesture Recognition Sensor with I<sup>2</sup>C Interface

DOCUMENT CONTROLLED V0.7 2014/05/22

## Register Bank0, ADDR 0x43

Register Bank 0, ADDR 0x43, Gesture Detection Interrupt Flag								
NAME	Counter Clockwise	Clockwise	Backward	Forward	Right	Left	Down	Up
BIT #	[7]	[6]	[5]	[4]	[3]	[2]	[1]	[0]
ACCESS	R	R	R	R	R	R	R	R
DEFAULT	-	-	-	-	-	-	-	-

NAME	FUNCTION/OPERATION
Counter Clockwise	1: Counter clockwise gesture be detected 0: No Counter clockwise gesture be detected
Clockwise	1: Clockwise gesture be detected 0: No Clockwise gesture be detected
Backward	1: Backward gesture be detected 0: No Backward gesture be detected
Forward	1: Forward gesture be detected 0: No Forward gesture be detected
Right	1: Right gesture be detected 0: No Right gesture be detected
Left	1: Left gesture be detected 0: No Left gesture be detected
Down	1: Down gesture be detected 0: No Down gesture be detected
Up	1: Up gesture be detected 0: No Up gesture be detected

## Register Bank0, ADDR 0x44

Register Bank 0, ADDR 0x44, Gesture Detection Interrupt Flag		
NAME	Reserved	Wave
BIT #	[7:1]	[0]
ACCESS	R	R
DEFAULT	-	-

NAME	FUNCTION/OPERATION
Wave	1: Wave gesture be detected 0: Wave gesture be detected

The gesture detection interrupt flag will be cleared by reading Register Bank 0, Addr 0x43 and 0x44.

# PAJ7620U2 Integrated Gesture Recognition Sensor with I<sup>2</sup>C Interface

DOCUMENT CONTROLLED V0.7 2014/05/22

## Register Bank0, ADDR 0x45

Register Bank 0, ADDR 0x45, State Indicator for Gesture Detection		
NAME	Reserved	State
BIT #	[7:2]	[1:0]
ACCESS	R	R
DEFAULT	-	-

NAME	FUNCTION/OPERATION
State	0: Operation State 1: Standby 1 State 2: Standby 2 State

Refer to the “Gesture Detection Operating State and State Machine” in Operating Principle paragraph.

## Register Bank1, ADDR 0x67, 0x68

Register Bank 1, ADDR 0x67, ADDR 0x68, IDLE S1 Step, for setting the S <sub>1, Response Factor</sub>		
ADDRESS	ADDR 0x68	ADDR 0x67
NAME	IDLE S1 Step [15:8]	IDLE S1 Step [7:0]
BIT #	[7:0]	[7:0]
ACCESS	R/W	R/W
DEFAULT	0x01	0x68

NAME	FUNCTION/OPERATION
IDLE S1 Step	<p>Normal Mode: <math>S_{1, \text{Response Factor}} = 8.333 / (0.0323 \times \text{IDLE S1 Step} + \alpha)</math></p> <p>Gaming Mode: <math>S_{1, \text{Response Factor}} = 4.167 / (0.0323 \times \text{IDLE S1 Step} + \alpha)</math>, <math>\alpha = 3.55</math> for Near Mode</p> <p><math>S_{1, \text{Response Factor}}</math> represents the degrading factor of detection rate in Standby 1 State referenced to Normal Mode or Gaming Mode. Therefore, the object detecting rate in Standby1 State equals <math>S_{1, \text{Response Factor}}</math> multiplied by the gesture update rate of Normal Mode or Gaming Mode in Operation State.</p>

# PAJ7620U2 Integrated Gesture Recognition Sensor with I<sup>2</sup>C Interface

DOCUMENT CONTROLLED V0.7 2014/05/22

## Register Bank1, ADDR 0x69, 0x6A

Register Bank 1, ADDR 0x69, ADDR 0x6A, IDLE S2 Step, for setting the S <sub>2, Response Factor</sub>		
ADDRESS	ADDR 0x6A	ADDR 0x69
NAME	IDLE S2 Step [15:8]	IDLE S2 Step [7:0]
BIT #	[7:0]	[7:0]
ACCESS	R/W	R/W
DEFAULT	0x02	0xD0

NAME	FUNCTION/OPERATION
IDLE S2 Step	<p>Normal Mode: <math>S_{2, \text{Response Factor}} = 8.333 / (0.0645 \times \text{IDLE S2 Step} + \alpha)</math></p> <p>Gaming Mode: <math>S_{2, \text{Response Factor}} = 4.167 / (0.0645 \times \text{IDLE S2 Step} + \alpha)</math>, <math>\alpha = 3.55</math> for Near Mode</p> <p>S<sub>2, Response Factor</sub> represents the degrading factor of detecting rate in Standby 2 State referenced to Normal Mode or Gaming Mode. Therefore, the object detecting rate in Standby2 State equals S<sub>2, Response Factor</sub> multiplied by the gesture update rate of Normal Mode or Gaming Mode in Operation State.</p>

## Register Bank1, ADDR 0x6B, 0x6C

Register Bank 1, ADDR 0x6B, ADDR 0x6C, OPtoS1 Step, for setting the OPtoS1 time of operation state to standby 1 state		
ADDRESS	ADDR 0x6C	ADDR 0x6B
NAME	OPtoS1 Step [15:8]	OPtoS1 Step [7:0]
BIT #	[7:0]	[7:0]
ACCESS	R/W	R/W
DEFAULT	0x04	0xB0

NAME	FUNCTION/OPERATION
OPtoS1 Step	<p>Normal Mode: OPtoS1 time = OPtoS1 step/120</p> <p>Gaming Mode: OPtoS1 time = OPtoS1 step/240</p> <p>The OPtoS1 time means the time that no object be detected from Operation State to Standby 1 State</p>

# PAJ7620U2 Integrated Gesture Recognition Sensor with I<sup>2</sup>C Interface

DOCUMENT CONTROLLED V0.7 2014/05/22

## Register Bank1, ADDR 0x6D, 0x6E

Register Bank 1, ADDR 0x6D, ADDR 0x6E, S1toS2 Step, for setting the S1toS2 time of standby 1 state to standby 2 state		
ADDRESS	ADDR 0x6E	ADDR 0x6D
NAME	S1toS2 Step [15:8]	S1toS2 Step [7:0]
BIT #	[7:0]	[7:0]
ACCESS	R/W	R/W
DEFAULT	0x09	0x60

NAME	FUNCTION/OPERATION
S1toS2 Step	<p>Normal Mode: S1toS2 time = S1toS2 step/(60 xS<sub>1</sub>, Response Factor)</p> <p>Gaming Mode: S1toS2 time = S1toS2 step/(120 xS<sub>1</sub>, Response Factor)</p> <p>The S1toS2 time means the time that no object be detected from Standby 1 State to Standby 2 State</p>

## Register Bank0, ADDR 0xB0

Register Bank 0, ADDR 0xB0, Object Brightness, Report object brightness	
ADDRESS	ADDR 0xB0
NAME	ObjectAvgY[8:1]
BIT #	[7:0]
ACCESS	R
DEFAULT	-

NAME	FUNCTION/OPERATION
ObjectAvgY	Report Object Brightness (Max. value 255).

---

---

## PAJ7620U2 Integrated Gesture Recognition Sensor with I<sup>2</sup>C Interface

DOCUMENT CONTROLLED V0.7 2014/05/22

---

---

### Register Bank0, ADDR 0xB1, 0xB2

Register Bank 0, ADDR 0xB1, ADDR 0xB2, Object Size

ADDRESS	ADDR 0xB2	ADDR 0xB1
NAME	ObjectSize[11:8]	ObjectSize[7:0]
BIT #	[3:0]	[7:0]
ACCESS	R	R
DEFAULT		

NAME	FUNCTION/OPERATION
ObjectSize	Report Object Size (Max. value 900).

## PAJ7620U2 Integrated Gesture Recognition Sensor with I<sup>2</sup>C Interface

DOCUMENT CONTROLLED V0.7 2014/05/22

### 3. Proximity Detection Related:

#### Register Bank1, ADDR 0x44

Register Bank 1, ADDR 0x44, Proximity gain setting			
NAME	Reserved	PS Gain	Reserved
BIT #	[7]	[6]	[5:0]
ACCESS	Write as 1	R	Write as 100000
DEFAULT	1	0	100000
			0xA0

NAME	FUNCTION/OPERATION
PS Gain	0: 1x gain 1: 2x gain

#### Register Bank0, ADDR 0x42

Register Bank 0, ADDR 0x42, Gesture Detection Interrupt Flag Mask			
NAME	Reserved	Proximity Mask	Reserved
BIT #	[7:2]	[1]	[0]
ACCESS	Write as 000000	R/W	Write as 0
DEFAULT	111111	1	1
			0xFF

NAME	FUNCTION/OPERATION
Proximity Mask	1: Proximity detection will generate an interrupt 0: Proximity detection will not generate an interrupt

#### Register Bank0, ADDR 0x44

Register Bank 0, ADDR 0x44, Proximity Detection Interrupt Flag			
NAME	Reserved	PS Int. Flag	Reserved
BIT #	[7:2]	[1]	[0]
ACCESS	R	R	R
DEFAULT	-	-	-

NAME	FUNCTION/OPERATION
PS Int. Flag	1: PS interrupt flag 0: No PS interrupt flag

The proximity detection interrupt flag will be cleared by reading Register Bank 0, Addr 0x44.

# PAJ7620U2 Integrated Gesture Recognition Sensor with I<sup>2</sup>C Interface

DOCUMENT CONTROLLED V0.7 2014/05/22

## Register Bank0, ADDR 0x69

Register Bank 0, ADDR 0x69, PS Hysteresis High Threshold	
NAME	PS High Thd
BIT #	[7:0]
ACCESS	R/W
DEFAULT	0xC8

NAME	FUNCTION/OPERATION
PS High Thd	PS Hysteresis Interrupt Window High Threshold

## Register Bank0, ADDR 0x6A

Register Bank 0, ADDR 0x6A, PS Hysteresis Low Threshold	
NAME	PS Low Thd
BIT #	[7:0]
ACCESS	R/W
DEFAULT	0x40

NAME	FUNCTION/OPERATION
PS Low Thd	PS Hysteresis Interrupt Window Low Threshold

## Register Bank0, ADDR 0x6B

Register Bank 0, ADDR 0x6B, Proximity Approach State		
NAME	Reserved	PS Approach
BIT #	[7:1]	[0]
ACCESS	R	R
DEFAULT	-	-

NAME	FUNCTION/OPERATION
PS Approach	PS approach state, Approach = 1, (8 bits PS data $\geq$ PS high threshold) Not Approach = 0, (8 bits PS data $\leq$ PS low threshold)



# PAJ7620U2 Integrated Gesture Recognition Sensor with I<sup>2</sup>C Interface

DOCUMENT CONTROLLED V0.7 2014/05/22

## Register Bank0, ADDR 0x6C

Register Bank 0, ADDR 0x6C, Proximity Readout	
NAME	8 bits PS data [7:0]
BIT #	[7:0]
ACCESS	R
DEFAULT	-

NAME	FUNCTION/OPERATION
8 bits PS data [7:0]	PS Readout

Refer to Figure 3 for how to set the PS hysteresis window and the interrupt mechanism of proximity detection.

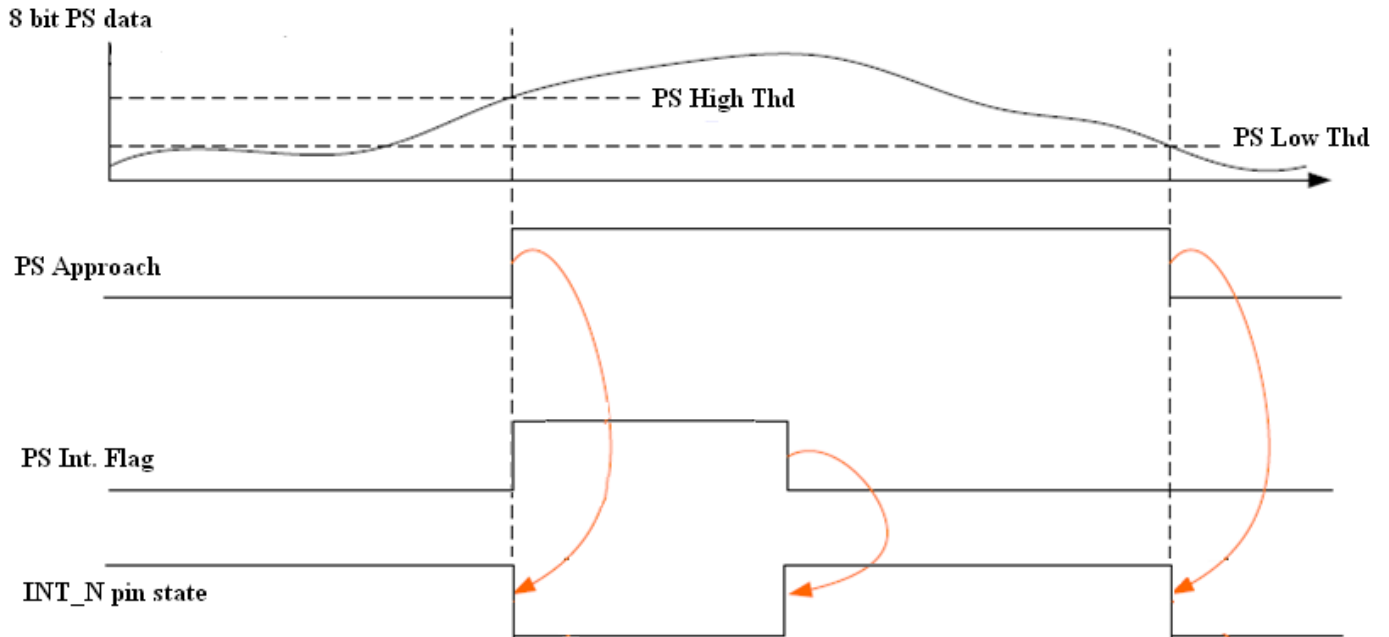
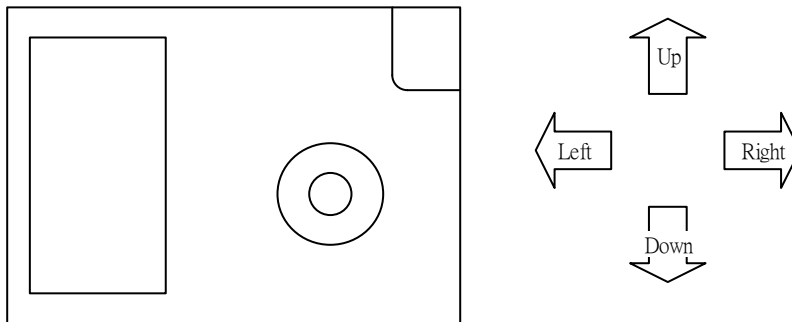


Figure 3. Proximity Sensing Functional Diagram

## Operating Principle

### 1. Gesture Sensor Module Orientation

The PAJ7620U2 should be oriented as shown in Figure 4 for correct gesture detection.



**Figure 4. The Correct Gesture Sensor Module Orientation (Front View)**

If rotate the gesture module, The direction of gesture detection interrupt flag mask (Register Bank 0, ADDR 0x41) and gesture detection interrupt flag (Register Bank 0, ADDR 0x43) needs to re-mapping.

#### Register Bank0, ADDR 0x41

Register Bank 0, ADDR 0x41, Gesture Detection Interrupt Flag Mask								
NAME	Counter-Clockwise Mask	Clockwise Mask	Backward Mask	Forward Mask	Up Mask	Down Mask	Right Mask	Left Mask
BIT #	[7]	[6]	[5]	[4]	[3]	[2]	[1]	[0]

#### Register Bank0, ADDR 0x43

Register Bank 0, ADDR 0x43, Gesture Detection Interrupt Flag								
NAME	Counter Clockwise	Clockwise	Backward	Forward	Up	Down	Right	Left
BIT #	[7]	[6]	[5]	[4]	[3]	[2]	[1]	[0]

---

---

## PAJ7620U2 Integrated Gesture Recognition Sensor with I<sup>2</sup>C Interface

DOCUMENT CONTROLLED V0.7 2014/05/22

---

---

### 2. Power-On Sequence

In the power-on sequence, The VBUS **Must** be power on before VDD. After power on, wait  $T_1$   $\mu$ s for PAJ7620U2 to stabilize and then write slave ID (0x73) to process I<sup>2</sup>C wake-up (Refer to topic “I<sup>2</sup>C Bus Timing Characteristics and Protocol” ). After  $T_2$   $\mu$ s, write the initial settings and the different modes settings to PAJ7620U2. Lastly, enable PAJ7620U2 by writing Register Bank1, Addr0x72 with 0x01. The gesture data can now be accessed through the I<sup>2</sup>C bus.

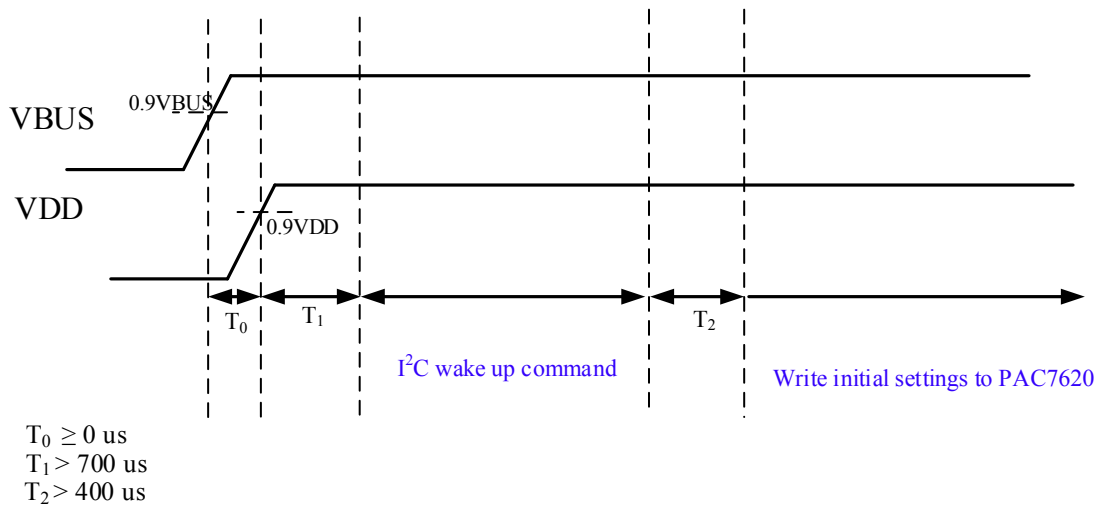


Figure 5. PAJ7620U2 Power-On Timing Diagram

# PAJ7620U2 Integrated Gesture Recognition Sensor with I<sup>2</sup>C Interface

DOCUMENT CONTROLLED V0.7 2014/05/22

## 3. Gesture Detection Operating State and State Machine

When in gesture detection, the state machine of PAJ7620U2 is in Figure13. Following is the detail description of each state.

### i. Operation State (OP state)

When in operation state, the gesture update rate is 120Hz for Normal Mode and 240Hz for Gaming Mode respectively. The gesture result can be accessed by interrupt mechanism or continuous polling the gesture detection interrupt flag (Register Bank 0, Addr0x43).

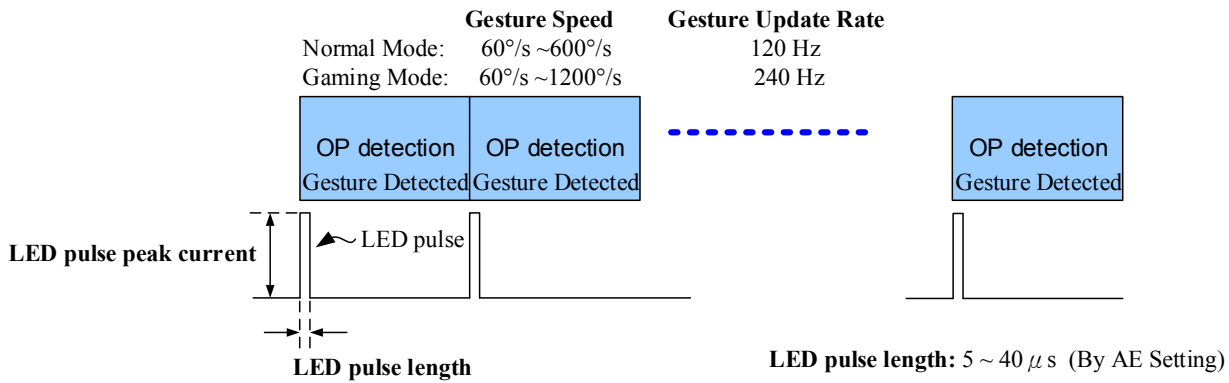


Figure 9. Operation State (OP state) Diagram

### ii. Standby 1 State (S1 state)

When in Standby1 state, the object detection rate equals  $S_{1, \text{Response Factor}}$  multiply the gesture update rate of Normal Mode or Gaming Mode.

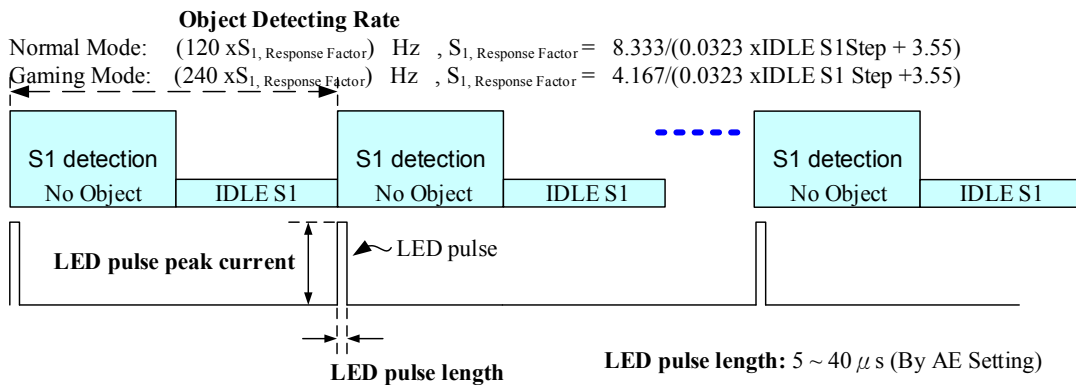


Figure 10. Standby 1 State (S1 state) Diagram

# PAJ7620U2 Integrated Gesture Recognition Sensor with I<sup>2</sup>C Interface

DOCUMENT CONTROLLED V0.7 2014/05/22

### iii. Standby 2 State (S2 state)

When in Standby 2 state, the object detection rate equals  $S_{2, \text{Response Factor}}$  multiply the gesture update rate of Normal Mode or Gaming Mode.

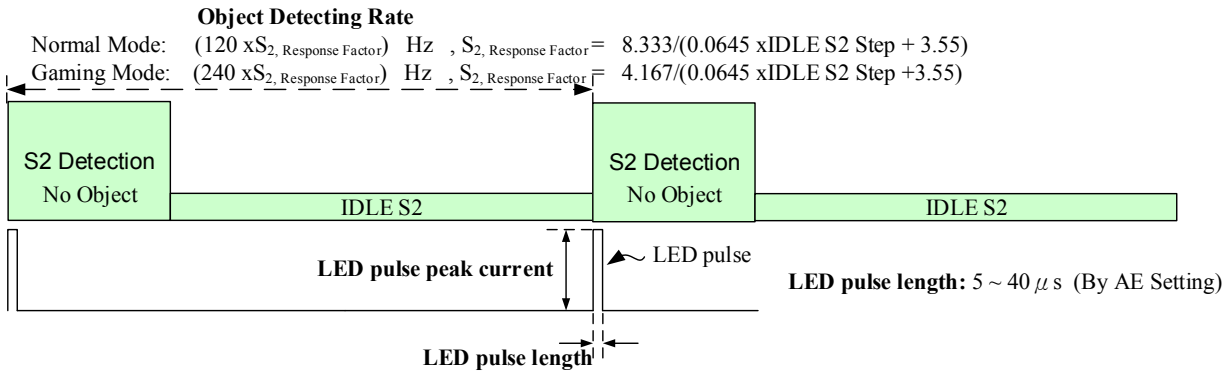


Figure 11. Standby 2 State (S2 state) Diagram

### iv. Suspend State (SUS state)

To enter the suspend state, first disable the PAJ7620U2 by writing Register Bank 1, ADDR 0x72 with 0x00 then process the I<sup>2</sup>C suspend command by writing Register Bank 0, ADDR 0x03 with 0x01.

To exit the suspend state, first process the I<sup>2</sup>C wake-up command by writing the slave ID (Refer to topic “I<sup>2</sup>C Bus Timing Characteristics and Protocol”) then enable the PAJ7620U2 by writing Register Bank 1, ADDR 0x72 with 0x01.

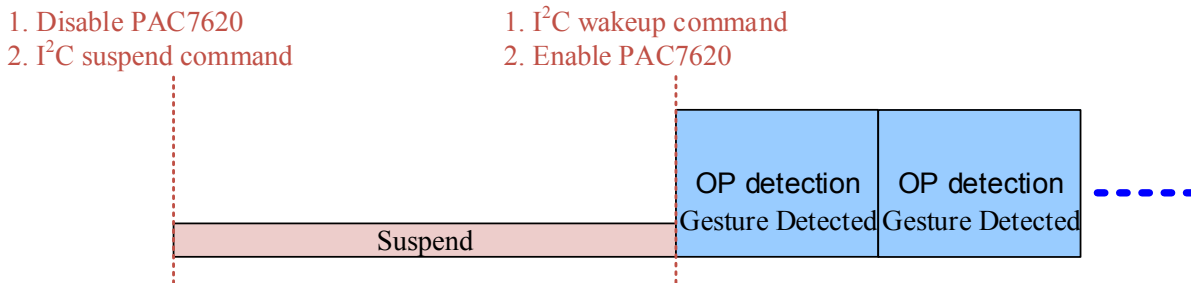
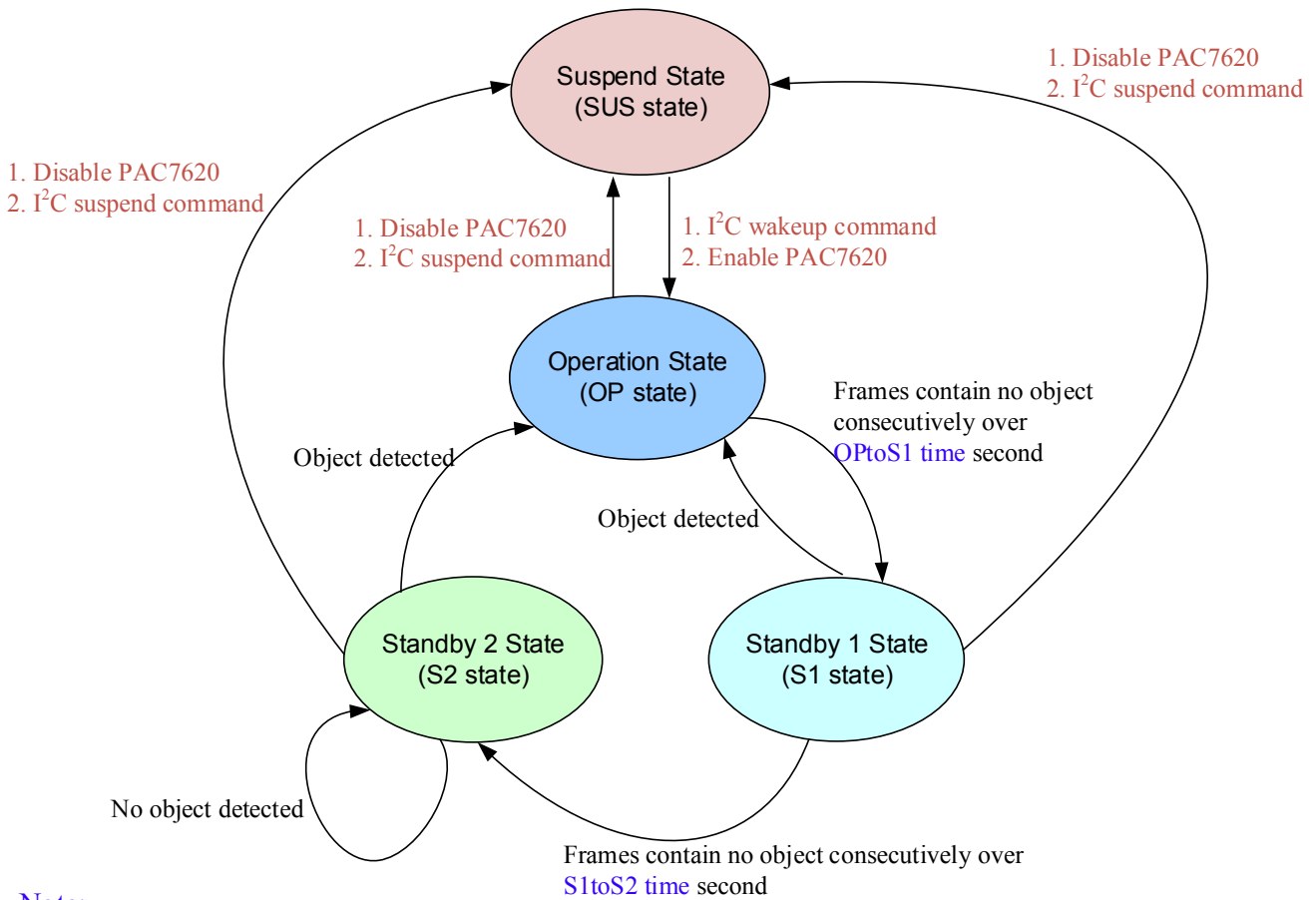


Figure 12. Suspend State (SUS state) Diagram

v. State Machine



Note:

OPtoS1 time = OPtoS1 step/120 @ Normal Mode  
 = OPtoS1 step/240 @ Gaming Mode

S1toS2 time = S1toS2 step/(60 x S<sub>1, Response Factor</sub>) @ Normal Mode  
 = S1toS2 step/(120 x S<sub>1, Response Factor</sub>) @ Gaming Mode

Figure 13. State Machine of Gesture Detection

---

---

# PAJ7620U2 Integrated Gesture Recognition Sensor with I<sup>2</sup>C Interface

DOCUMENT CONTROLLED V0.7 2014/05/22

---

---

## 4. Proximity Detection Operating Principle

When in proximity detection, the state machine of PAJ7620U2 is in Figure 16. Following is the detail description of each state.

### i. Proximity Operation State (PS OP state)

When in operation state, the update rate is 10Hz and the LED on time is 8 $\mu$ s. The LED peak current is 760 mA.

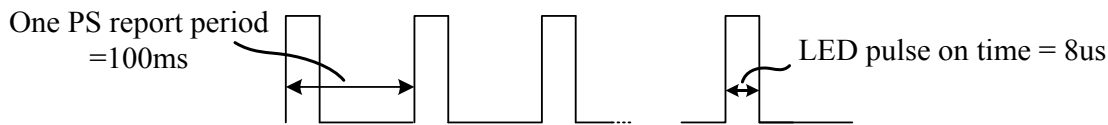


Figure 14. Proximity Operation State (PS OP state) Diagram

### ii. Suspend State (SUS state)

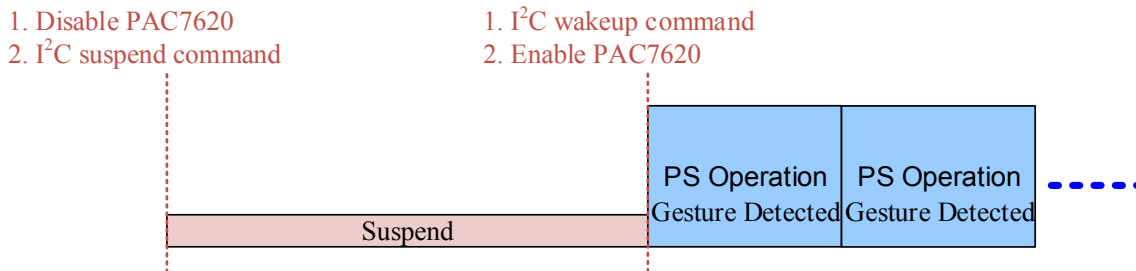


Figure 15. Suspend State (SUS state) Diagram

### iii. State Machine

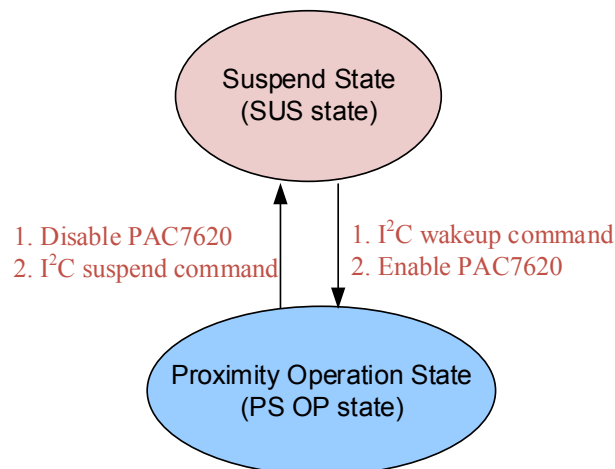


Figure 16. State Machine of Gesture Detection

# PAJ7620U2 Integrated Gesture Recognition Sensor with I<sup>2</sup>C Interface

DOCUMENT CONTROLLED V0.7 2014/05/22

## I<sup>2</sup>C Bus Timing Characteristics and Protocol

### i. I<sup>2</sup>C Timing Parameter

Parameter	Symbol	STANDARD MODE		FAST MODE		Unit
		Min.	Max.	Min.	Max.	
SCL clock frequency.	$f_{scl}$	10	100	10	400	kHz
Hold time for Start/Repeat Start. After this period, the first clock pulse is generated.	$t_{HD.STA}$	4		0.6		$\mu s$
Set-up time for a repeated Start.	$t_{SU.STA}$	4.7		0.6		$\mu s$
Low period of SCL clock.	$t_{LOW}$	4.7		1.3		$\mu s$
High period of SCL clock.	$t_{HIGH}$	4		0.6		$\mu s$
Data hold time.	$t_{HD.DAT}$	0		0		$\mu s$
Data set-up time.	$t_{SU.DAT}$	250		100		ns
Rise time of both SDA and SCL signals.	$t_r$		1000	-	300	ns
Fall time of both SDA and SCL signals.	$t_f$		300	-	300	ns
Set-up time for STOP condition.	$t_{SU.STO}$	4		0.6		$\mu s$
Bus free time between a STOP and START.	$t_{BUF}$	4.7		1.3		$\mu s$

\* maximum current is 5mA and capacitance load spec. =100pF

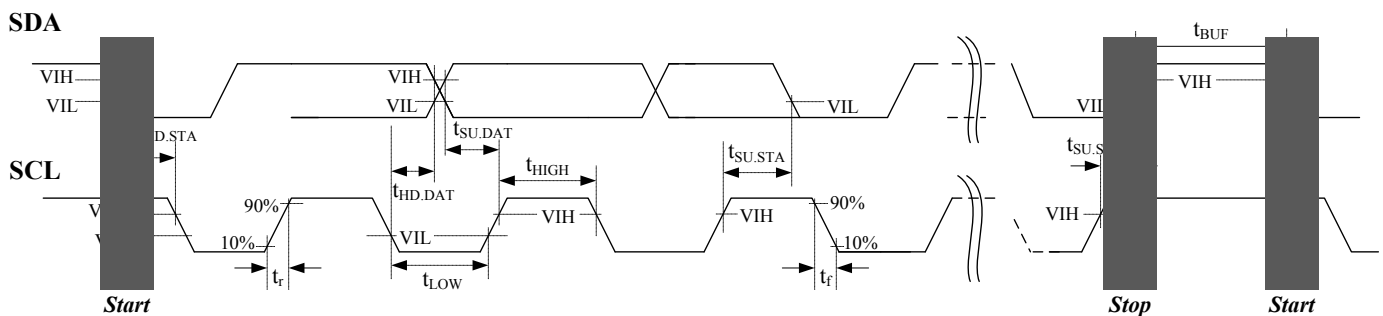


Figure 17. I<sup>2</sup>C Timing Diagram

### ii. I<sup>2</sup>C General Description

- SDA (serial data) and SCL (serial clock) form a two-wire serial interface compatible with I<sup>2</sup>C. The PAJ7620U2 is implemented as a slave-only device so it never drives SCL. It drives SDA during (host) read cycles and transmission of the Acknowledge bit. PAJ7620U2 uses 7-bit addressing and does not support clock stretching. The SDA and SCL pins are open-drain structure requiring external pull-up resistors.
- Start and stop condition: SDA high to low transition while SCL is high defines a Start condition. SDA low to high transition while SCL is high defines a Stop condition. (Refer. to Figure 18)



# PAJ7620U2 Integrated Gesture Recognition Sensor with I<sup>2</sup>C Interface

DOCUMENT CONTROLLED V0.7 2014/05/22

- Valid data: The data on SDA line must be stable during high period of SCL. MSB is always transferred first for each byte. LSB of the first byte is Read / Write control bit. (Refer. to Figure 19)
- Both master and slave can transmit and receive data from the bus.
- Acknowledge: The Receiving device should pull down SDA during high period of the 9<sup>th</sup> clock (SCL) after a complete byte has been received from the transmitter. In the case of the master receiving data from the slave, the master does not generate an Acknowledge bit after the last byte to indicate the end of a master read cycle.

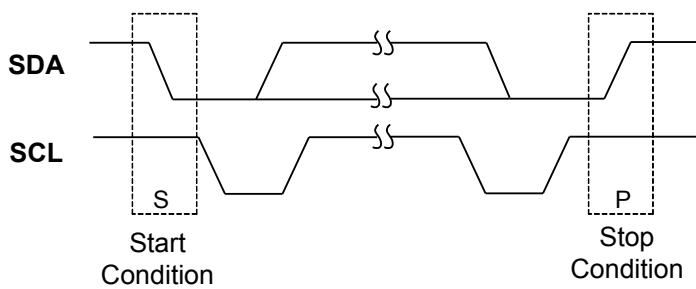


Figure 18. Start and Stop Conditions

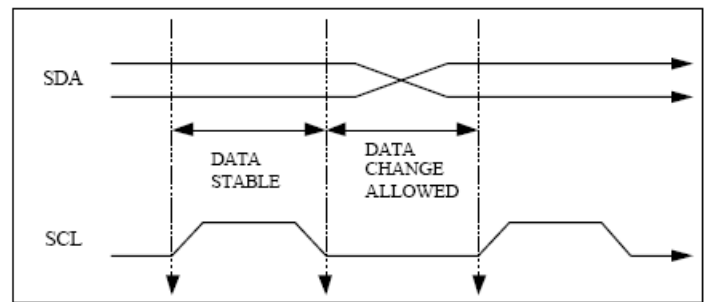
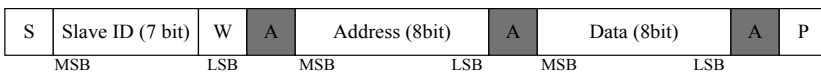


Figure 19. Valid Data

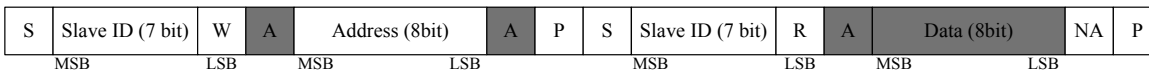
### iii. I<sup>2</sup>C Protocol

The slave ID of PAJ7620U2 is **0x73** hex using 7 bit addressing protocol. Contact Pixart for other slave ID requirement.

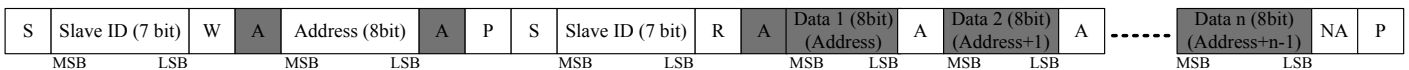
#### I. Single Write Protocol



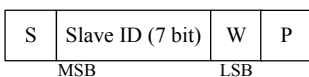
#### II. Single Read Protocol



#### III. Burst Read Protocol



#### IV. I<sup>2</sup>C Wake-up command Protocol

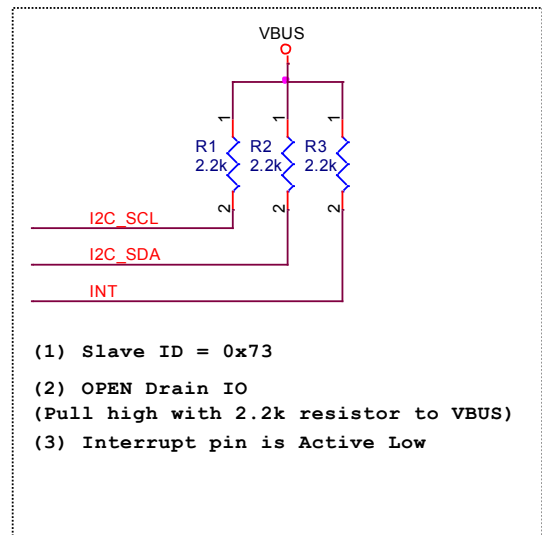
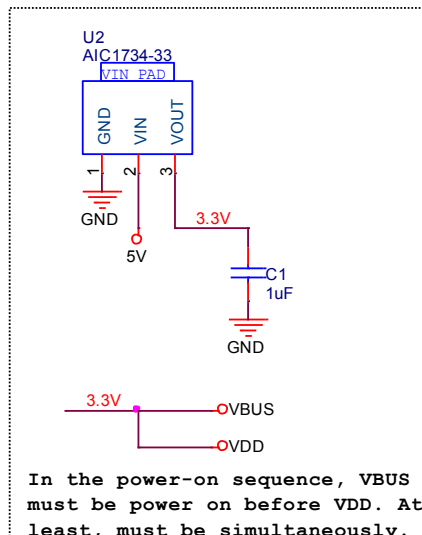
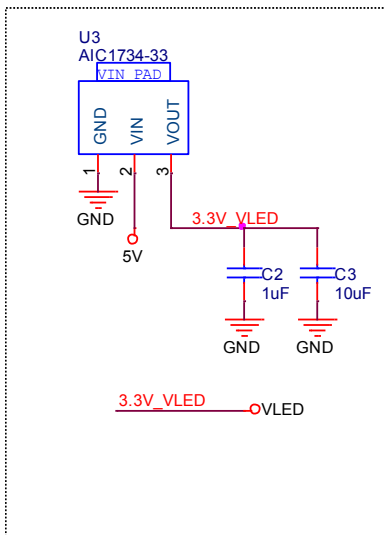
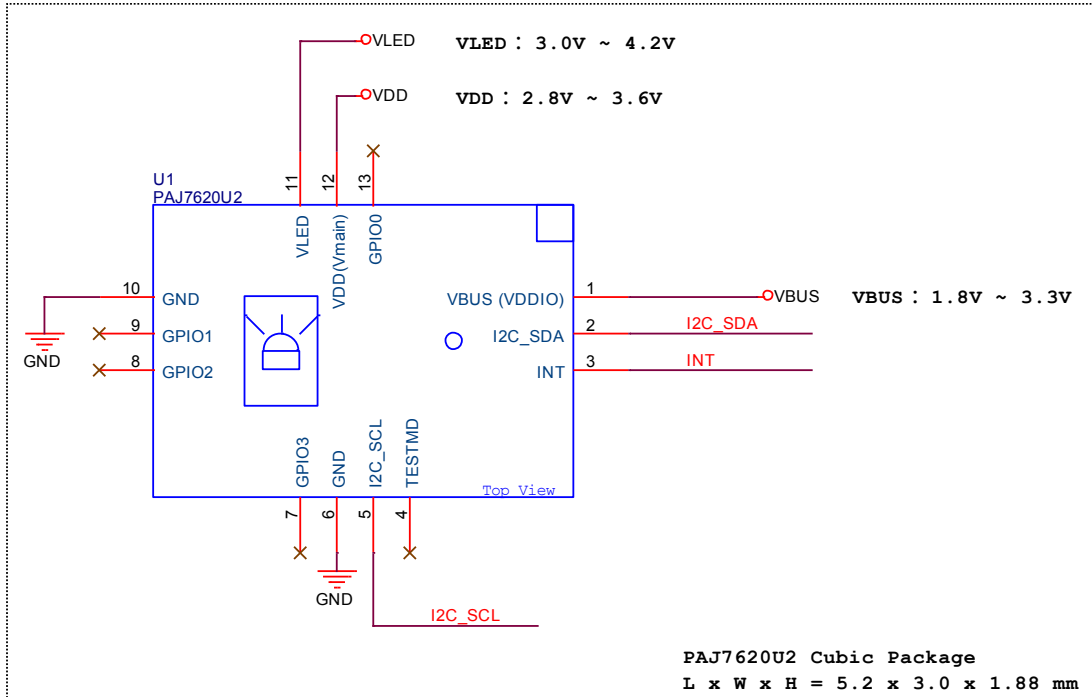


- A Acknowledge (0 for an ACK)
- NA Non-acknowledge (1 for an NACK)
- P Stop condition
- Master to Slave
- S Start condition
- W Write (0 for write)
- R Read (1 for read)
- Slave to Master

# PAJ7620U2 Integrated Gesture Recognition Sensor with I<sup>2</sup>C Interface

DOCUMENT CONTROLLED V0.7 2014/05/22

## Reference Application Circuit





# PAJ7620U2 Integrated Gesture Recognition Sensor with I<sup>2</sup>C Interface

DOCUMENT CONTROLLED V0.7 2014/05/22

## Marking Information

<table border="1" style="margin: auto; border-collapse: collapse;"> <tr> <td style="width: 20px; height: 20px; text-align: center;">1</td> <td style="width: 20px; height: 20px;"></td> <td style="width: 20px; height: 20px; text-align: center;">3</td> <td style="width: 20px; height: 20px;"></td> <td style="width: 20px; height: 20px; text-align: center;">13</td> <td style="width: 20px; height: 20px;"></td> <td style="width: 20px; height: 20px; text-align: center;">11</td> <td style="width: 20px; height: 20px;"></td> <td style="width: 20px; height: 20px; text-align: center;">10</td> <td style="width: 20px; height: 20px;"></td> <td style="width: 20px; height: 20px; text-align: center;">8</td> </tr> <tr> <td style="text-align: center;">X</td> <td style="text-align: center;">X</td> <td style="text-align: center;">X</td> <td style="text-align: center;">X</td> <td></td> <td></td> <td></td> <td></td> <td></td> <td></td> <td></td> </tr> <tr> <td style="width: 20px; height: 20px; text-align: center;">4</td> <td style="width: 20px; height: 20px;"></td> <td style="width: 20px; height: 20px; text-align: center;">7</td> <td style="width: 20px; height: 20px;"></td> <td></td> <td></td> <td></td> <td></td> <td></td> <td></td> <td></td> </tr> </table>	1		3		13		11		10		8	X	X	X	X								4		7									<p>Marking instruction</p> <ol style="list-style-type: none"> <li>1. 4 characters</li> <li>2. Content: PXI Datecode</li> </ol>	<table border="1" style="width: 100%; border-collapse: collapse;"> <tr> <td style="width: 10%;"></td> <td style="width: 40%;">Title</td> <td colspan="3">PAJ7620U2 Module Marking Instruction</td> </tr> <tr> <td></td> <td>Drawing No</td> <td colspan="3"></td> </tr> <tr> <td></td> <td>Part Number</td> <td colspan="3">PAJ7620U2</td> </tr> <tr> <td></td> <td>Drawn</td> <td>Niko</td> <td>3/21 '14</td> <td>Scale</td> <td>1:1</td> </tr> <tr> <td></td> <td>Approve</td> <td>Kedy</td> <td></td> <td>Unit</td> <td>mm</td> </tr> <tr> <td></td> <td>View</td> <td></td> <td></td> <td>Rev.</td> <td>A</td> </tr> </table>		Title	PAJ7620U2 Module Marking Instruction				Drawing No					Part Number	PAJ7620U2				Drawn	Niko	3/21 '14	Scale	1:1		Approve	Kedy		Unit	mm		View			Rev.	A	<table border="1" style="width: 100%; border-collapse: collapse;"> <thead> <tr> <th style="width: 10%;">Rev.</th> <th style="width: 40%;">Description</th> <th style="width: 10%;">Date</th> <th style="width: 30%;">Drawing No</th> </tr> </thead> <tbody> <tr> <td>A</td> <td>New Issue</td> <td>3/21/14</td> <td>PAJ7620U2</td> </tr> <tr> <td> </td> <td> </td> <td> </td> <td> </td> </tr> <tr> <td> </td> <td> </td> <td> </td> <td> </td> </tr> <tr> <td> </td> <td> </td> <td> </td> <td> </td> </tr> </tbody> </table>	Rev.	Description	Date	Drawing No	A	New Issue	3/21/14	PAJ7620U2												
1		3		13		11		10		8																																																																															
X	X	X	X																																																																																						
4		7																																																																																							
	Title	PAJ7620U2 Module Marking Instruction																																																																																							
	Drawing No																																																																																								
	Part Number	PAJ7620U2																																																																																							
	Drawn	Niko	3/21 '14	Scale	1:1																																																																																				
	Approve	Kedy		Unit	mm																																																																																				
	View			Rev.	A																																																																																				
Rev.	Description	Date	Drawing No																																																																																						
A	New Issue	3/21/14	PAJ7620U2																																																																																						

---

---

# PAJ7620U2 Integrated Gesture Recognition Sensor with I<sup>2</sup>C Interface

DOCUMENT CONTROLLED V0.7 2014/05/22

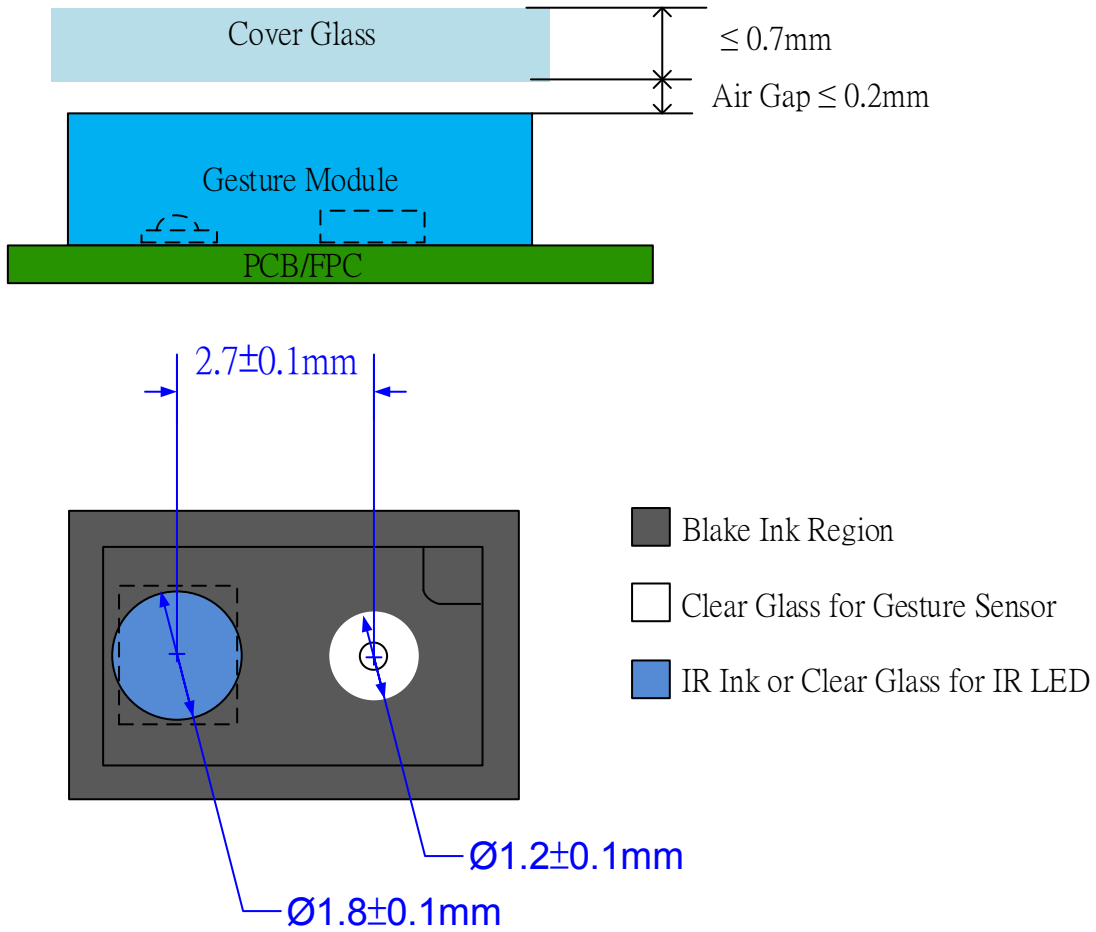
---

---

## Mechanical Design Guide

### i. Gesture Module Only

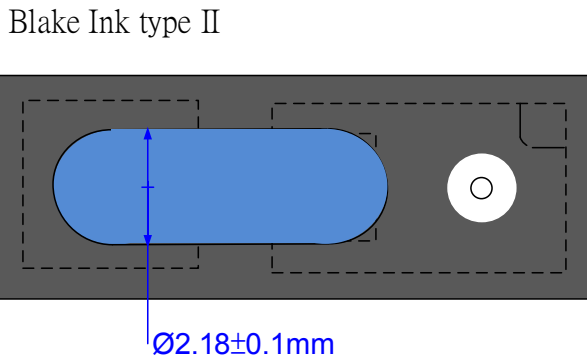
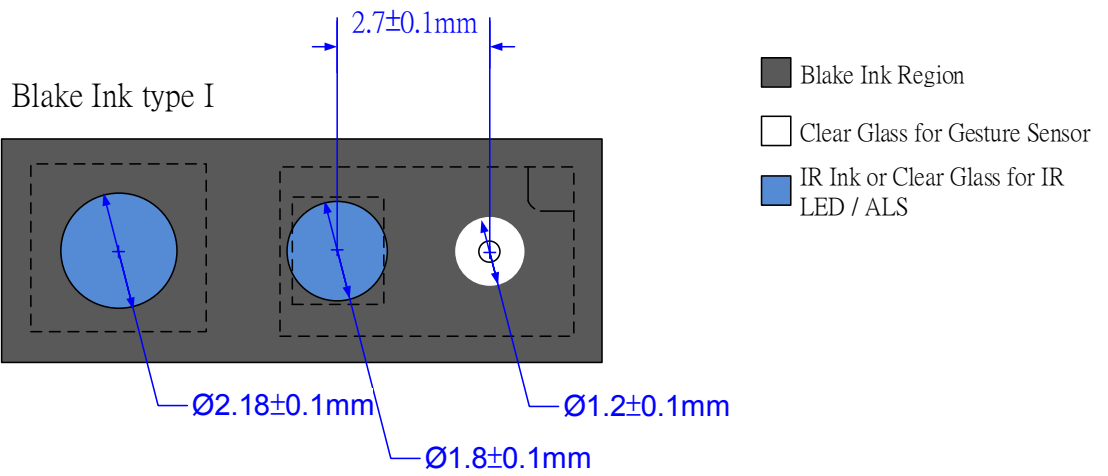
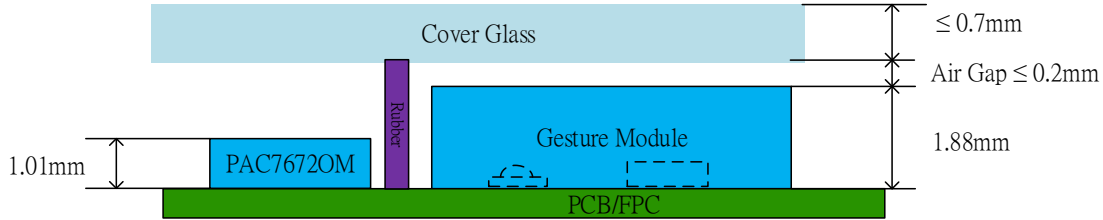
PXI suggest mechanical design as below for better performance.



# PAJ7620U2 Integrated Gesture Recognition Sensor with I<sup>2</sup>C Interface

DOCUMENT CONTROLLED V0.7 2014/05/22

## ii. Gesture Module with ALS sensor (PAC76720M)



---

---

# PAJ7620U2 Integrated Gesture Recognition Sensor with I<sup>2</sup>C Interface

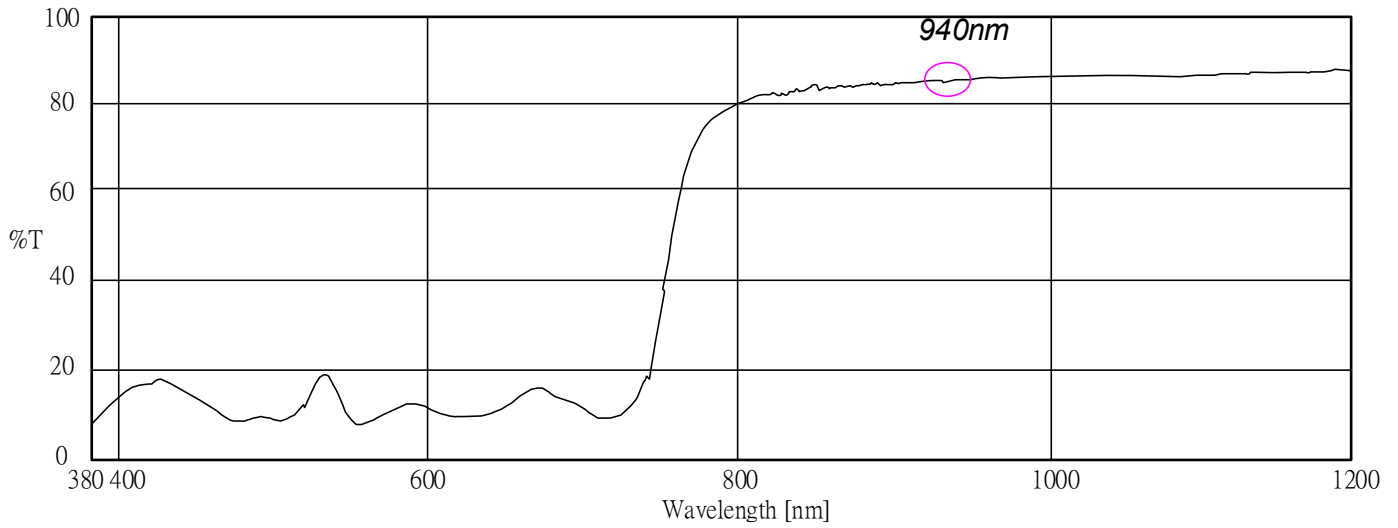
DOCUMENT CONTROLLED V0.7 2014/05/22

---

---

## IR Ink Spectrum (Recommend)

IR Ink Vendor : Teikoku Ink



## Programing Sequence and Function Application

This chapter describes how to implement firmware for PAJ7620U2 and function application.

### i. Initial

Step 1 : Power On, The  $V_{Bus}$  must be power on before  $V_{DD}$ .

Step 2 : Wait 700us for PAJ7620U2 to stabilize.

Step 3 : Write slave ID or I2C read command to process I<sup>2</sup>C wake-up.

It's recommend to read Reg\_0x00. It will return "0x20" when wake-up finish.

By the way, There is no-ack from PAJ7620U2 before wake-up finish.

Step 4 : Write initial setting to gesture.

```
unsigned char initial_register_array[][2] = {
    {0xEF,0x00},
    {0x37,0x07},
    {0x38,0x17},
    {0x39,0x06},
    {0x42,0x01},
    {0x46,0x2D},
    {0x47,0x0F},
    {0x48,0x3C},
    {0x49,0x00},
    {0x4A,0x1E},
    {0x4C,0x20},
    {0x51,0x10},
    {0x5E,0x10},
    {0x60,0x27},
    {0x80,0x42},
    {0x81,0x44},
    {0x82,0x04},
    {0x8B,0x01},
    {0x90,0x06},
    {0x95,0x0A},
    {0x96,0x0C},
    {0x97,0x05},
    {0x9A,0x14},
```



---

---

## PAJ7620U2 Integrated Gesture Recognition Sensor with I<sup>2</sup>C Interface

DOCUMENT CONTROLLED V0.7 2014/05/22

---

---

```
{0x9C,0x3F},
{0xA5,0x19},
{0xCC,0x19},
{0xCD,0x0B},
{0xCE,0x13},
{0xCF,0x64},
{0xD0,0x21},
{0xEF,0x01},
{0x02,0x0F},
{0x03,0x10},
{0x04,0x02},
{0x25,0x01},
{0x27,0x39},
{0x28,0x7F},
{0x29,0x08},
{0x3E,0xFF},
{0x5E,0x3D},
{0x65,0x96},
{0x67,0x97},
{0x69,0xCD},
{0x6A,0x01},
{0x6D,0x2C},
{0x6E,0x01},
{0x72,0x01},
{0x73,0x35},
{0x77,0x01},
```

```
};
```

### ii. Get Gesture result

Step 1 : Set Interrupt or I<sup>2</sup>C polling timer.

Step 2 : Read Bank\_0\_Reg\_0x43/0x44 for gesture result if interrupt or timer happen.

Gesture result will be clean when I<sup>2</sup>C read finish.

### iii. Change to PS mode

Step 1 : Write PS mode setting to gesture.

---

---

## PAJ7620U2 Integrated Gesture Recognition Sensor with I<sup>2</sup>C Interface

DOCUMENT CONTROLLED V0.7 2014/05/22

---

---

```
unsigned char change_to_proximity_register_array[][2] = {
    {0xEF,0x00},
    {0x41,0x00},
    {0x42,0x02},
    {0x48,0x20},
    {0x49,0x00},
    {0x51,0x13},
    {0x83,0x00},
    {0x9F,0xF8},
    {0x69,0x96},
    {0x6A,0x02},
    {0xEF,0x01},
    {0x01,0x1E},
    {0x02,0x0F},
    {0x03,0x10},
    {0x04,0x02},
    {0x41,0x50},
    {0x43,0x34},
    {0x65,0xCE},
    {0x66,0x0B},
    {0x67,0xCE},
    {0x68,0x0B},
    {0x69,0xE9},
    {0x6A,0x05},
    {0x6B,0x50},
    {0x6C,0xC3},
    {0x6D,0x50},
    {0x6E,0xC3},
    {0x74,0x05},
};
```

#### iv. Get PS approach status

Step 1 : Read Bank\_0\_Reg\_0x6B for PS approach status or read Bank\_0\_Reg\_0x6C for PS raw data.

---

---

## PAJ7620U2 Integrated Gesture Recognition Sensor with I<sup>2</sup>C Interface

DOCUMENT CONTROLLED V0.7 2014/05/22

---

---

### v. Change to Gesture mode

Step 1 : Write Gesture mode setting to gesture.

```
unsigned char change_to_gesture_register_array[][2] = {
    {0xEF,0x00},
    {0x41,0x00},
    {0x42,0x00},
    {0xEF,0x00},
    {0x48,0x3C},
    {0x49,0x00},
    {0x51,0x10},
    {0x83,0x20},
    {0x9f,0xf9},
    {0xEF,0x01},
    {0x01,0x1E},
    {0x02,0x0F},
    {0x03,0x10},
    {0x04,0x02},
    {0x41,0x40},
    {0x43,0x30},
    {0x65,0x96},
    {0x66,0x00},
    {0x67,0x97},
    {0x68,0x01},
    {0x69,0xCD},
    {0x6A,0x01},
    {0x6b,0xb0},
    {0x6c,0x04},
    {0x6D,0x2C},
    {0x6E,0x01},
    {0x74,0x00},
    {0xEF,0x00},
    {0x41,0xFF},
    {0x42,0x01},
};
```

---

---

## PAJ7620U2 Integrated Gesture Recognition Sensor with I<sup>2</sup>C Interface

DOCUMENT CONTROLLED V0.7 2014/05/22

---

---

### vi. Enter Suspend mode

Step 1 : Write Suspend mode setting to gesture.

```
unsigned char suspend_register_array[][2] = {
    {0xEF,0x01},
    {0x72,0x00},
    {0xEF,0x00},
    {0x03,0x01},
};
```

### vii. Resume Gesture

Step 1 : Write slave ID or I2C read command to process I<sup>2</sup>C wake-up.

It's recommend to read Reg\_0x00. It will return "0x20" when wake-up finish.

By the way, There is no-ack from PAJ7620U2 before wake-up finish.

Step 2 : Write Resume setting to gesture.

```
unsigned char resume_register_array[][2] = {
    {0xEF,0x01},
    {0x72,0x01},
};
```

## Recommended Guideline for PCB Assembly

Recommended vender and type for Pb-free solder paste

1. Almit LFM-48W TM-HP
2. Senju M705-GRN360-K

IR Reflow Soldering Profile:

Temperature profile is the most important control in reflow soldering. It must be fine tuned to establish a robust process. The typical recommended IR reflow profile is showed in figure 8 below.

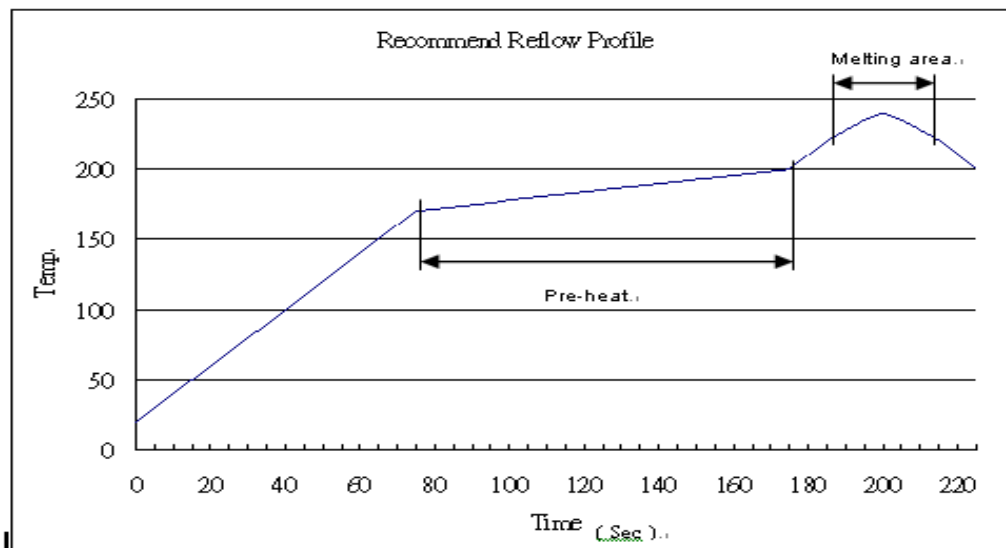


Fig. 8 IR Reflow Profile

**Reflow Profile :**

1. Average Ramp-up Rate (30°C to preheat zone): 1.5~ 2.5 Degree C/ Sec
2. Preheat zone:
  - 2.1 Temp ramp from 170~ 200 degree C
  - 2.2 Exposure time: 90 +/- 30 sec
3. Melting zone:
  - 3.1 Melting area temp > 220 degree C for at least 30 ~ 50 sec
  - 3.2 Peak temperature : 245 degree C.